

OASIS® STANDARD



Indirect air-side economizer with indirect evaporative cooling (IEC)

FEATURES

- Up to 500kW cooling capacity per unit depending on delta T and altitude
- 3 modes of cooling: Dry HX, IEC, IEC + trim DX
- Munters polymer tube heat exchanger technology
- Reduced peak operating kW
- Low annual pPUE

Oasis Standard

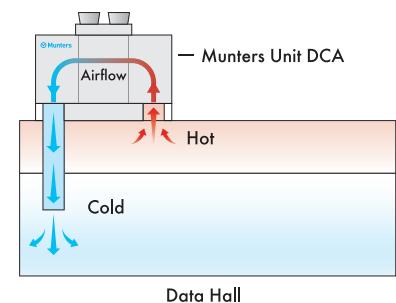
Indirect air-side economizer with indirect evaporative cooling (IEC)

Munters Oasis Standard indirect air-side economizer with IEC provides energy efficient data center heat rejection and low total cost of ownership.

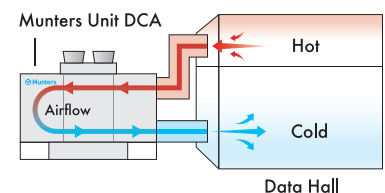
Oasis units use Munters' patented Evaporative Polymer Exchanger (EPX). This heat exchanger utilizes a unique polymer tube design that provides efficient heat rejection while operating dry or wet (IEC mode). The EPX elliptical polymer tubes are corrosion resistant and flex slightly during normal operation, shedding mineral scale that can accumulate during the indirect evaporative process. The Oasis indirect evaporative cooling product line can significantly reduce refrigeration usage and installed capacity in virtually all climates, reducing connected electrical load and compressor maintenance.

Munters is a trusted leader in data center cooling technologies, and we make it our goal to provide reliable and efficient solutions that maximize energy savings for our customers.

Rooftop Mount



Perimeter Mount



Oasis Performance Table

Unit	Up to <kW	Dimensions LxWxH (in.)	Airflow up to <CFM	Operating Weight (lb.)**	
				Rooftop	Perimeter
Oasis 30	190	300 x 78 x 154*	30,000	16,200	17,000
Oasis 40	250	300 x 98 x 154*	40,000	19,300	19,900
Oasis 60	375	300 x 140 x 154*	60,000	25,900	26,500
Oasis 75	500	300 x 162 x 154*	75,000	30,000	35,000

* Height shown for rooftop configuration. Add 38.5" for perimeter mount configuration. Height does not include scavenger fan intake plenum. Add 32.5" to account for height of upper scavenger fan intake plenum section.

** Weights are approximate based on typical included options. Actual weight will vary depending on selected options.

Mode 1 - Dry HX

Evaporative Polymer Exchanger (EPX) operates as a dry air-to-air heat exchanger with warm data hall air passing through the inside of polymer tubes and cool ambient air flowing over the exterior of tubes.

Mode 2 - Wet (IEC)

Exterior of EPX tubes are wetted by spray nozzles, with "scavenger" air flowing over wet tubes to extract data center heat.

Mode 3 - DX Cooling

Supplementary DX or chilled water cooling after EPX for extreme conditions.

Options

- Trim DX or chilled water supplemental cooling
- Mirror access models
- Modbus or BACnet controls
- Multiple airflow configurations
- Roof or slab mounted options
- Supply and return air isolation dampers
- Scavenger air low ambient control dampers
- EC motor-driven process and scavenger fans
- Corrosion resistant coating on condenser coils
- Automatic transfer switch
- Patent pending staged spray option for water conservation

Oasis with DX Cooling (mode 3)

Munters Oasis indirect air-side economizer units use an indirect evaporative cooling process to reject data center heat using cooler ambient wet bulb conditions, which creates the most significant economizer cooling potential.

- Evaporatively cooled condenser for improved DX operation
- Reduction or elimination of mechanical cooling load (DX)
- Reduction in peak operating kW (vs. dry solutions)
- Annualized mechanical PUE 1.1-1.15
- The most efficient packaged cooling system available
- Make-up and drain water valves factory installed

